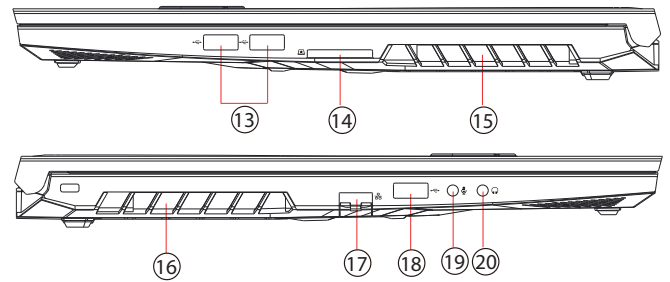
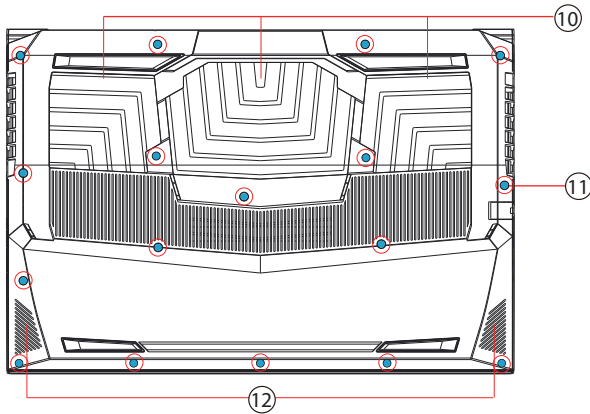


- 1- Webcam
- 2- Camera Status LED
- 3- Microphone
- 4- LCD screen
- 5- Caps Lock/Battery/Power LED indicator
- 6- Power Button
- 7- Quick Launch Button (Max fan speed ON/OFF)
- 8- Keyboard
- 9- Touchpad/Clickpad  
Touchpad LED indicator/ Touchpad switch

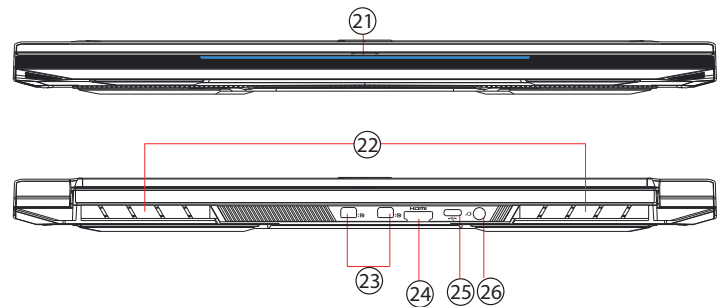
\* Tap twice within the top left corner to enable or disable (green light) touchpad functionality.



- 13- USB Ports
- 14- 2 in 1 Card Reader
- 15/16- Vents
- 17- Network Port
- 18- USB Port
- 19- Mic In Jack
- 20- Audio Out Jack



- 10- Vents
- 11- HDD / RAM / SSD / WLAN Compartment Cover Screws
- 12- Speakers



- 21- Light-bar
- 22- Vents
- 23- Mini Display Port
- 24- HDMI port
- 25- USB Port (USB Type C)
- 26- Power Connector

## Starting

\*Please Note: The AC adapter included with your PC was specifically designed and approved for your model. Utilization of an after-market may damage either the notebook or other devices connected to it. If damage is determined to have been caused by utilization of an unauthorized power supply, it will not be protected under warranty.

