



**ELUKTRONICS**

---

**User Manual**  
**RP-15**

## Notice

The information in this user's manual is protected by copyright laws, all parts of this manual, including the products and software described in it, can not be reproduced, transmitted, transcribed, stored in a retrieval system, nor translated into any language.

THE MANUFACTURER OR RESELLER SHALL NOT BE LIABLE FOR ERRORS OR OMISSIONS CONTAINED IN THIS MANUAL AND SHALL NOT BE LIABLE FOR ANY CONSEQUENTIAL DAMAGES, WHICH MAY RESULT FROM THE PERFORMANCE OR USE OF THIS MANUAL.

The illustrations in this user's manual are for reference only. Actual product specifications may vary with territories.

The information in this user's manual is subject to change without notice.

# TABLE OF CONTENTS

Notice .....	2
Preface .....	5
1.1 Regulations Information.....	6
1.2 Safety Instructions .....	9
1.3 Important Warranty Void Notice .....	10
1.4 Release History .....	11
Getting to know the basics .....	12
2.1 Product Specification.....	13
2.2 Preparing your Computer .....	17
2.3 Product Overview .....	18
Getting started .....	27
3.1 AC Adapter .....	28
3.2 Knowing the Keyboard .....	29
3.2.1 For keyboard users.....	30
3.3 Using the touchpad / clickpad.....	33
BIOS setup .....	34

4.1 About BIOS Setup .....	35
4.1.1 When to Use BIOS Setup ?.....	35
4.1.2 How to Run BIOS Setup ?.....	35
4.2 BIOS Setup Menu.....	37
4.2.1 Main Menu.....	37
4.2.2 Advanced Menu .....	39
4.2.3 Security Menu.....	41
4.2.4 Boot Menu .....	42
4.2.5 Exit Menu.....	44

---

## Chapter 1

# Preface

## 1.1 Regulations Information

α CE compliance

This device is classed as a technical information equipment (ITE) in class B and is intended for use in living room and office. The CE-mark approves the conformity by the EU-guidelines:

- EMC Directive 2014/30/EU,
- Low Voltage Directive 2014/35/EU(equals A2 : 2013) ,
- RF Directive 2014/53/EU



The unit can be operated at an ambient temperature of max. 35°C (95°F). Do not subject it to temperatures below 5°C (41°F) or above 40°C (104 °F).

**CAUTION: RISK OF EXPLOSION IF BATTERY IS REPLACED BY AN INCORRECT TYPE DISPOSE OF USED BATTERIES ACCORDING TO THE INSTRUCTIONS.**



### PREVENTION OF HEARING LOSS

**CAUTION:** Listening to music at high volume levels and for extended durations can damage one's hearing. In order to reduce the risk of damage to hearing, one should lower the volume to a safe, comfortable level, and reduce the amount of time listening at high levels. Headsets should comply with EN 50332-2 requirements.



---

## FCC Information

### FEDERAL COMMUNICATIONS COMMISSION INTERFERENCE STATEMENT

This equipment has been tested and found to comply with the limits for a Class B digital device, pursuant to part 15 of the FCC Rules. These limits are designed to provide reasonable protection against harmful interference in a residential installation. This equipment generates, uses and can radiate radio frequency energy and, if not installed and used in accordance with the instructions, may cause harmful interference to radio communications. However, there is no guarantee that interference will not occur in a particular installation. If this equipment does cause harmful interference to radio or television reception, which can be determined by turning the equipment off and on, the user is encouraged to try to correct the interference by one or more of the following measures:

- Reorient or relocate the receiving antenna.
- Increase the separation between the equipment and receiver.
- Connect the equipment into an outlet on a circuit different from that to which the receiver is connected.
- Consult the dealer or an experienced radio/ TV technician for help.

## RF Exposure Information(SAR)

This device meets the government's requirements for exposure to radio waves. This device is designed and manufactured not to exceed the emission limits for exposure to radio frequency (RF) energy set by the Federal Communications Commission of the U.S. Government.

The exposure standard employs a unit of measurement known as the Specific Absorption Rate, or SAR. The SAR limit set by the FCC is 1.6 W/kg. Tests for SAR are conducted using standard operating positions accepted by the FCC with the EUT transmitting at the specified power level in different channels.

The FCC has granted an Equipment Authorization for this device with all reported SAR levels evaluated as in compliance with the FCC RF exposure guidelines. SAR information on this device is on file with the FCC and can be found under the Display Grant section of [www.fcc.gov/eot/ea/fccid](http://www.fcc.gov/eot/ea/fccid) after searching on FCC ID: 2AKHFAX200NG .

This device complies with Part 15 of the FCC Rules. Operation is subject to the following two conditions:

- (1) this device may not cause harmful interference, and
- (2) this device must accept any interference received, including interference that may cause undesired operation.



CAUTION: Any changes or modifications not expressly approved by the manufacturer of this device could void the warranty if damage is determined from any form of modification.



## 1.2 Safety Instructions



- 1** Do not apply heavy pressure to the computer or subject it to any form of strong impact as this can damage the computer's components or otherwise cause it to malfunction.
- 2** Never cover or block the air vents including those located at the base of the computer. Never cover your computer or AC adapter with any object.
- 3** To keep your computer in prime operating condition, protect your work area from direct sunlight.
- 4** Do NOT expose to or use near liquid, rain, or moisture.  
Do NOT use the modem during electrical storms.
- 5** Do not use or expose this device around magnetic fields as magnetic interference may affect the performance of the device.

---

## 1.3 Important Warranty Void Notice



---

**WARNING:** Damage caused by any modification to the thermals performed by anyone other than Eluktronics will not be covered under warranty. As a standard, the RP-15 is produced with an advanced stock thermal system which has excellent heat dissipation. It is strongly discouraged to attempt any thermal changes on your own. Though the stock thermals are already designed for you to enjoy a very high-performance experience, Eluktronics does offer even further thermal advancements for custom purchases completed on Eluktronics.com. If you purchased your laptop from another marketplace or did not elect the thermal advancement at the time of your purchase, Eluktronics does offer the option to have your thermals upgraded for a fee by a certified professional and maintain warranty coverage.

---



**NOTE:** Upgrading memory and/or storage can be easily accessed and modified on your RP-15. However, modifying your thermals is **NOT** worth the serious risk of voiding your warranty or more importantly damaging your PC. An accidental bend of the heatsink or incorrect torque of the screws would be counteractive to the advanced compound you apply. It is important to understand a motherboard on a laptop is not the same as a desktop PC. The processor and graphics card are both soldered on to the board and a replacement would be very costly if damage were to occur.

---

## 1.4 Release History

Version	Date	Revision
1.0	05/2020	Initial release
1.1	06/2020	Phase-In 4 Cell Battery!

---

## Chapter 2

# Getting to know the basics

## 2.1 Product Specification

This User's Manual provides technical information of instructions and illustrations on how to operate this notebook for the customer. Please read this manual carefully before using this notebook.

### · Physical Characteristic

#### ■ Dimension

359.8\*243\*19.9mm(panel=2.6mm)

359.8\*243\*20.5mm(panel=3.2mm)

1.9 kg +/- 5%

### · APU

#### ■ Support Processor

AMD Renoir H series

### · GPU

#### ■ Support Graphics Processor

NVIDIA RTX 2060

### · Memory

#### ■ RAM

DDR4 3200MHz

## · I/O Port

DC-in	x 1
USB	USB 2.0 X 1 USB 3.1 X 2 (Gen1) USB type C 3.1X 1 (Gen2 )
RJ45	x 1
HDMI	x 1
Audio out & Mic in	x 2
Mini DP	x 2
Card reader	SD Card reader connector type -Support SD/SDHC/SDXC card

## · Audio

### ■ Audio Codec Realtek ALC274CG / AMP: Realtek ALC1306-CGT

---

\*Azalia standard support

\*D3 mode support

### ■ Speaker/MIC

---

\*Built-in 2 speakers

\*Speakers with Smart Amplifier

\*Digital Microphone support

## · Display

### ■ LCD

---

15.6" FHD, 16:9,(Narrow)

1920x1080

## · Input

### ■ Keyboard

---

Membrane single zone RGB backlight support, 340\*109.2\*3.6mm

### ■ Pointing Device

---

TDA1470 (114.5\*70\*0.8mm)

TP mylar

Enable/Disable area :10mmx10mm

Palm Rejection Support

## · Communication Port

### ■ LAN

---

\*Supports 10/100/1000 Mb/Sec

\*PCI-E interface

\*DSM (Deep sleep mode) support

### ■ Wireless LAN +BT

---

\*M.2 2230 w/ CNVI interface (Intel WiFi 6 AX series)

\*IEEE802.11AX mode support

## · Webcam

### ■ HD Webcam

HD webcam with D-MIC

## · Power

### ■ AC Adapter

Automatic Voltage adjustment between 100 and 240VAC 50/60Hz,  
180 Watts (19.5V/9.23A), 3 Pins

### ■ Battery

Li-polymer Battery, SW Gas Gauge IC, soft pack,

3 cells 46.74 WHr

4 cells 62.32 WHr (Optional)

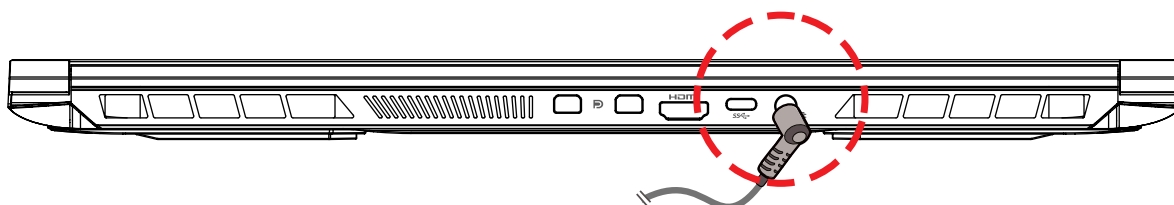


NOTE: MODEL IS DESIGNED TO USE WITH DC INPUT:  
180 Watts , (19.5V/9.23A) - THE USE OF ANYTHING  
LOWER CAN CAUSE DAMAGE TO HARDWARE

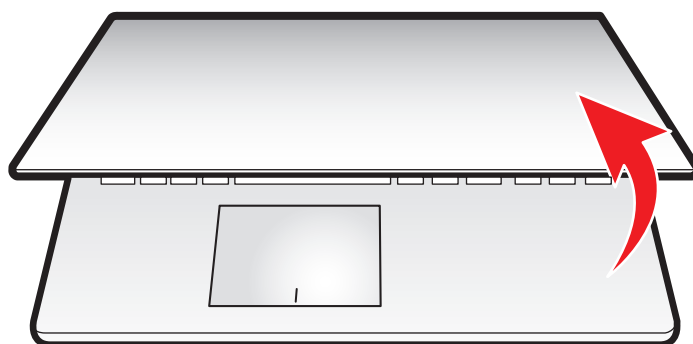


## 2.2 Preparing your Computer

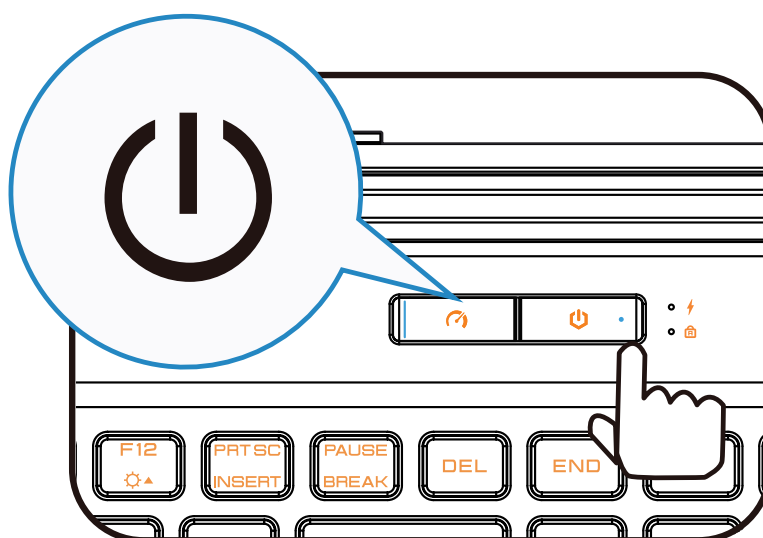
- A** Connect the AC adapter's DC output plug to the DC IN jack.



- B** The display panel can be opened to a wide range of angles for optimal viewing.



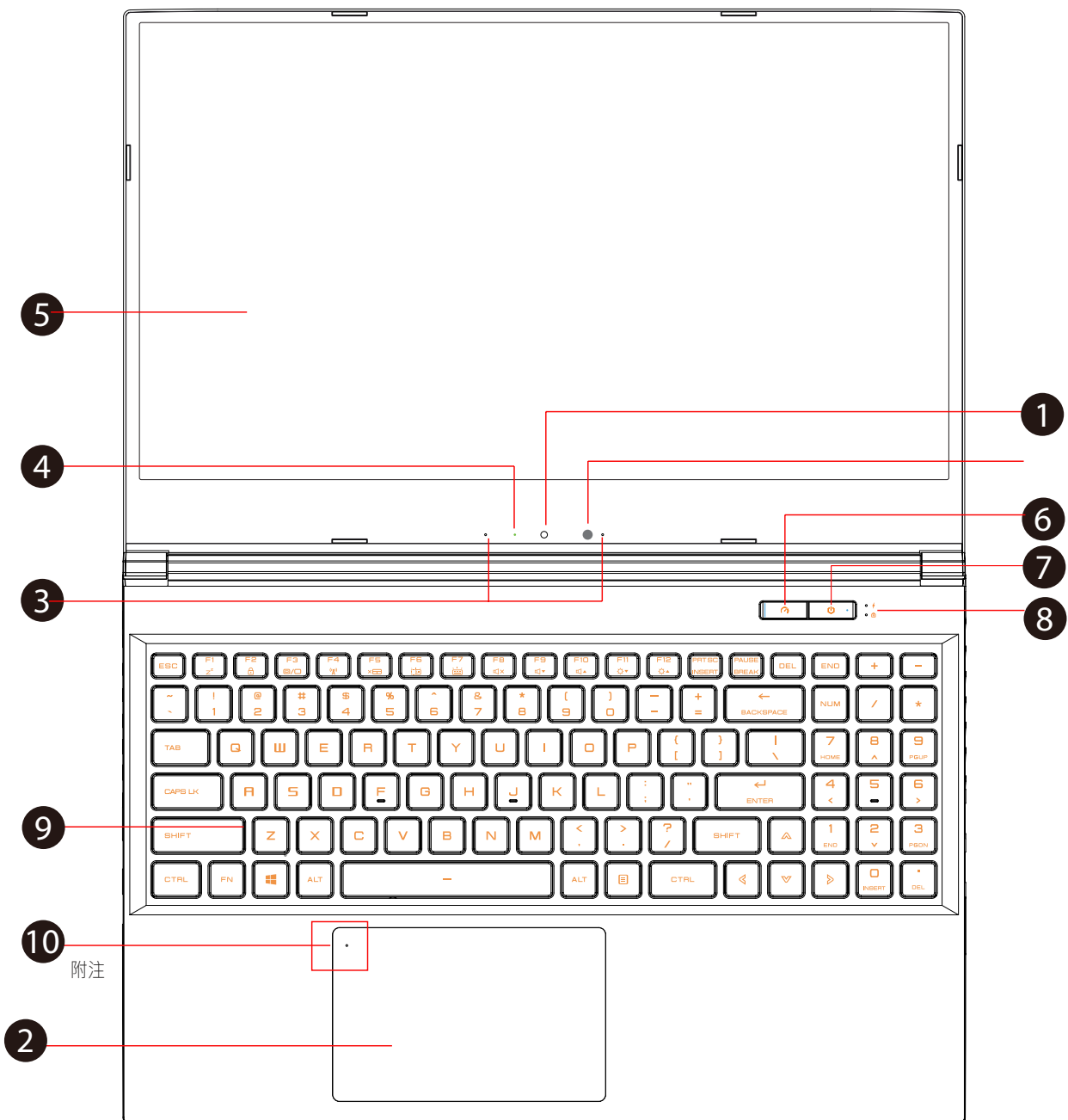
- C** Press the power button to turn on your notebook computer.



## 2.3 Product Overview

Please become familiar with each component before you operate the computer.

### Top-Open View



## 1 Camera

A device that allows you to record video or take photographs with your computer.

## 2 Touchpad/Clickpad

Touch-sensitive pointing device which functions like the mouse.

## 3 Microphone

Built-in microphone

## 4 Camera Status LED

The Camera Status LED shows the Camera status.

## 5 LCD screen

Displays of your notebook computer.

## 6 Beast / Game / Office Mode Switch

On screen display



Beast mode : White light (Bright)



Game mode : White light (Faint light)



Office mode : no light (Default )



Tip: When you are not using the computer, keep the LCD-screen closed to protect it from dust.

## 7 Power Button



Press this button to turn the computer's power on or off.

Power ON: White

Suspend: White, Slow / Smooth, Blinking White (3Sec/Cycle)

Power Off: OFF

## 8 Charging & Battery indicator

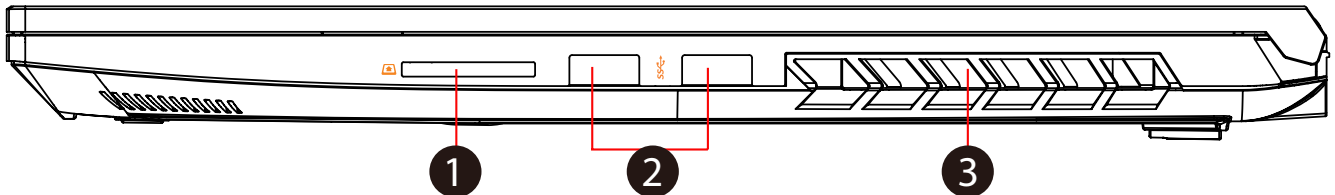
-  Charging(Power ON): White flash ( 3 sec/cycle )  
Charging(Power Off): White flash ( 3 sec/cycle )  
Battery Low (<6%): Orange flash ( 3 sec/cycle )
-  Charging finish (w/AC ): White ,(w/o AC): Off

## 9 Keyboard

The keyboard provides keys with comfortable travel

## 10 Touchpad LED indicator/ Touchpad switch

## Right Side View



**1** **2 in 1 Card Reader** 

Insert Memory Card.

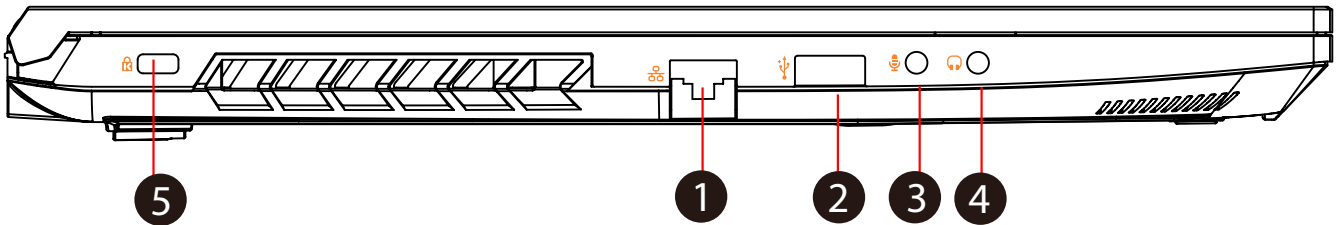
**2** **USB Port** 


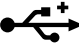



Connects an USB device  
(such as USB Zip drive, keyboard or mouse) into this jack.

**3** **Vents**

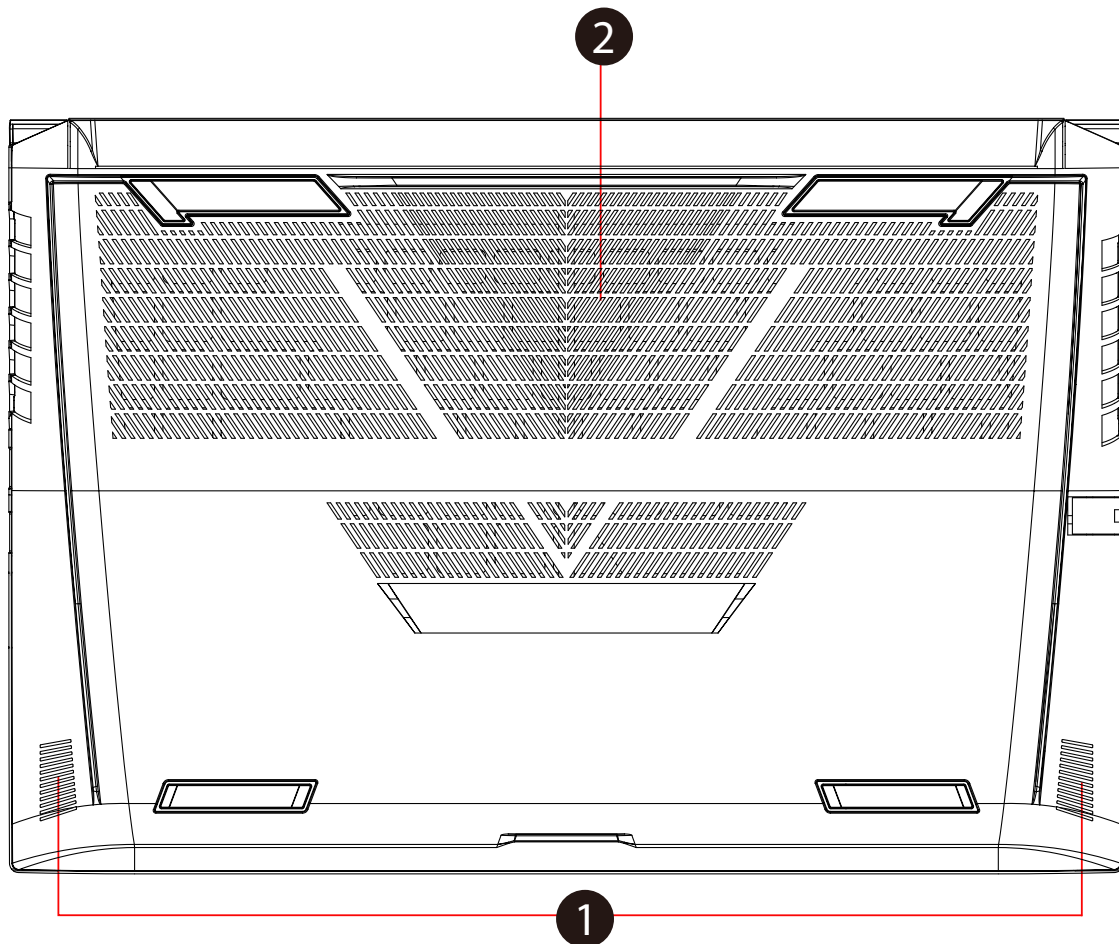
The thermal vents are designed to cool the internal components and avoid overheating.

## Left Side View



- 1 Network Jack**   
This jack lets you connect to a LAN.
- 2 USB Port**   
Connects an USB device.  
(such as USB Zip drive, keyboard or mouse) into this jack.
- 3 Mic In Jack**   
Connects amplified speakers, headphones or microphone into this jack.
- 4 Audio Out Jack**   
Connects amplified speakers, headphones or microphone into this jack.
- 5 Kensington® Lock Port**   
To be secured using Kensington® Lock Port security products.

## Bottom Side View

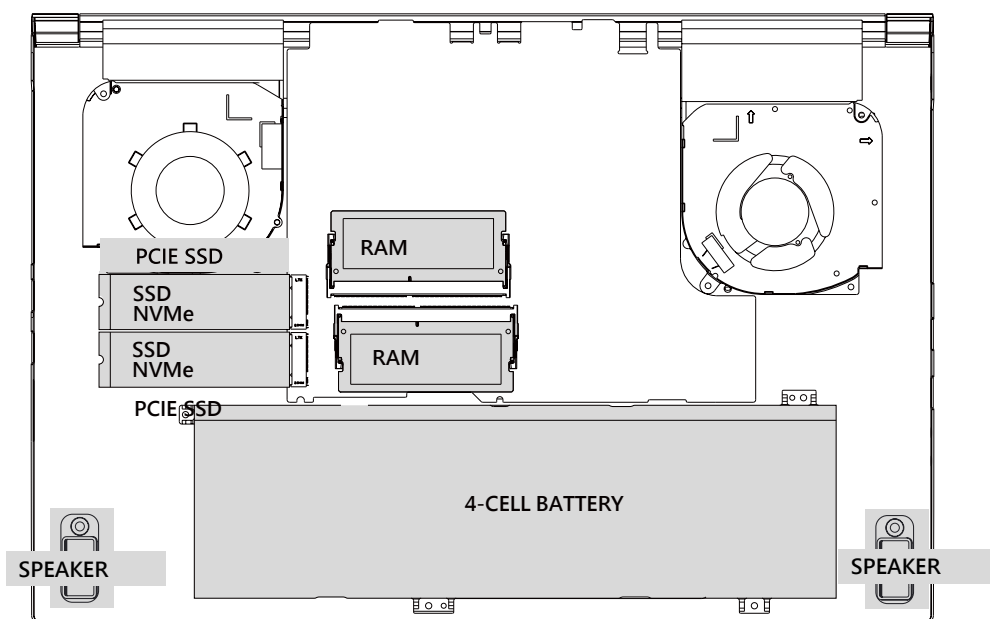
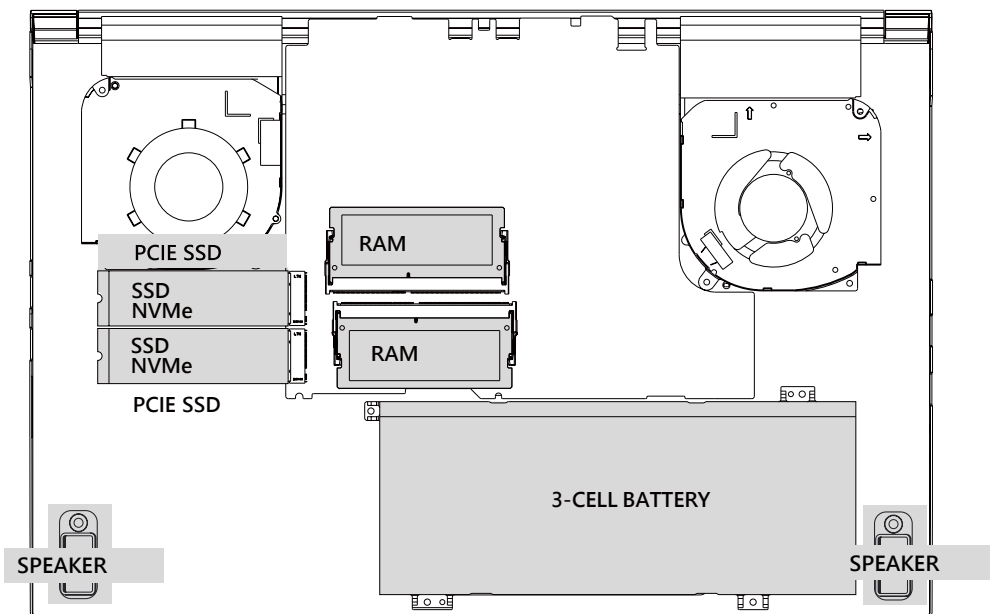


**1** Speakers

**2** Vents

The thermal vents are designed to cool the internal components and avoid overheating.

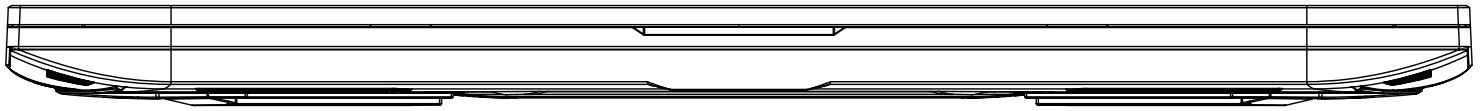
## RAM / SSD / WLAN Compartment View



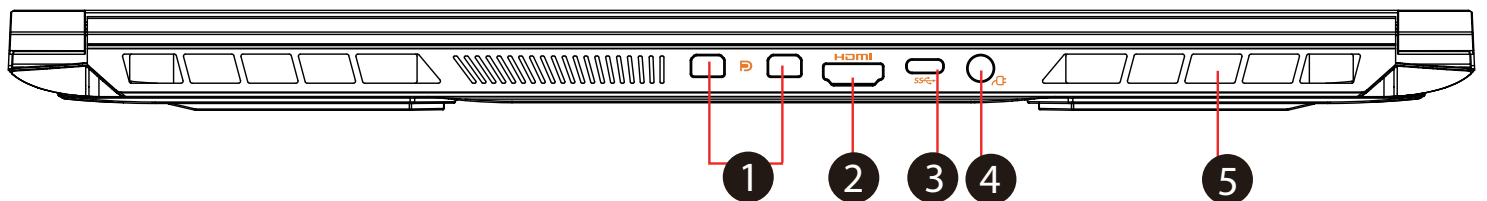
**CAUTION:** To prevent the possibility of heat-related injuries or overheating the computer, it is recommended to use the computer only on a hard, flat surface.






## Front Side View



## Back Side View



- 1 Mini Display Port**   
Connected to the screen, or home theater system.
- 2 HDMI port**   
Connected to the screen, or home theater system.
- 3 USB Port (USB Type-C)**   
Connects an USB device (such as USB drive, keyboard or mouse) into this jack. With charging function.

---

**4 Power Connector** 

Connects the AC adapter into this connector.

**5 Vents**

The thermal vents are designed to cool the internal components and avoid overheating.

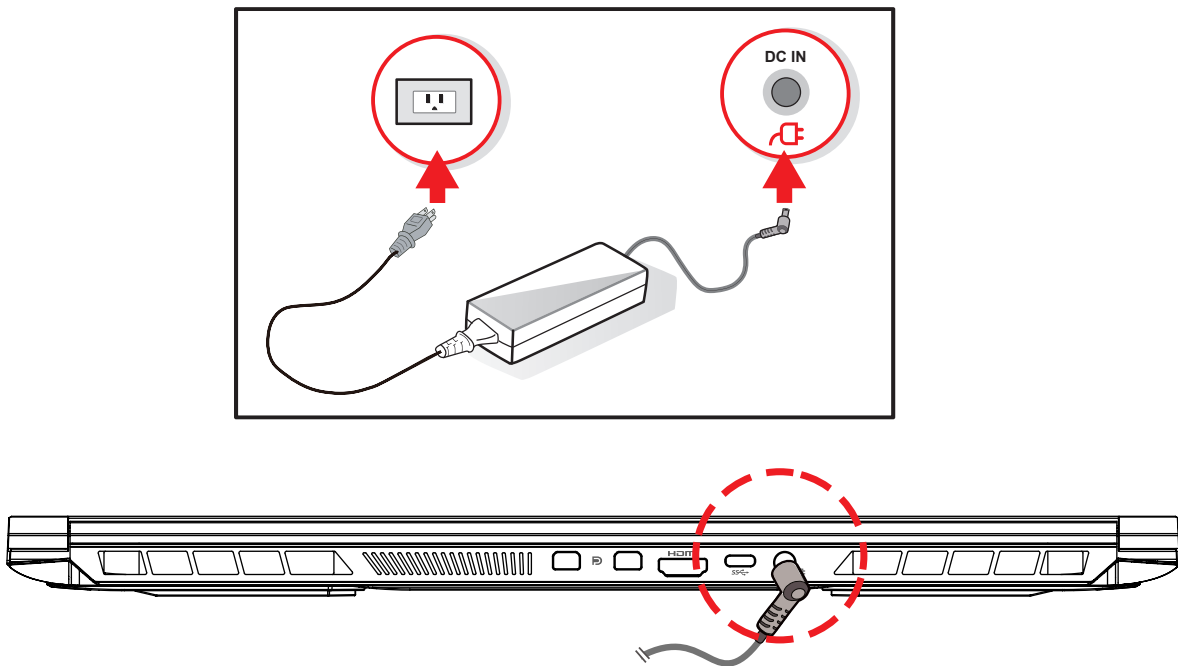
---

## Chapter 3

# Getting started

## 3.1 AC Adapter

It is recommended to connect the AC adapter and use the AC power for your first use to allow the battery to completely charge. Connect the AC adapter when you need to charge the battery or you want to operate from AC power.



**CAUTION:** The use of inferior extension cords may result in damage to your notebook. Your notebook comes with its own authorized AC adapter. Use of a different AC adapter or cable extension which is not authorized for use will void warranty protection if damage to hardware is found in association to said adapter or extension cable.

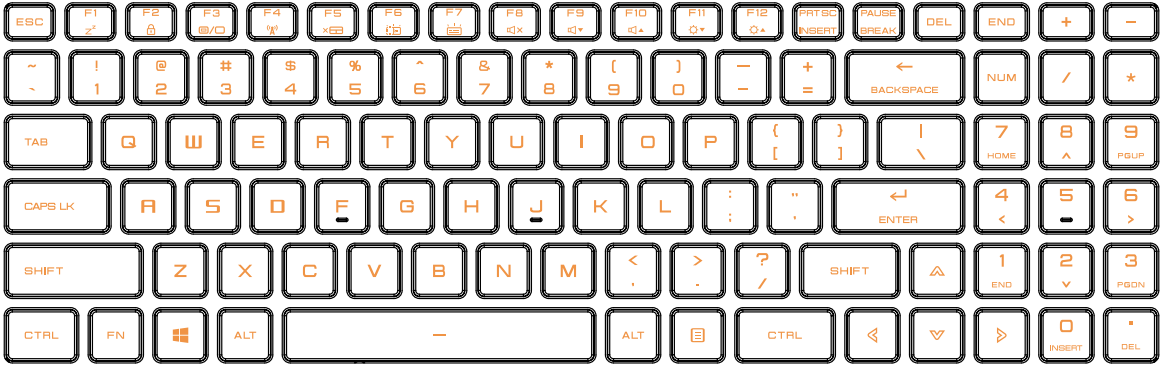


**NOTE:** The power adapter can become hot when in use. Please be sure the AC adapter is not covered with any materials keep it away from exposed parts of your body. The AC adapter appearance may vary depending on your region.

## 3.2 Knowing the Keyboard

The following defines the colored hot keys on the Keyboard.


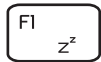



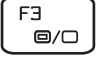




The colored commands can only be accessed by first pressing and holding the function key while pressing a key with a colored command.






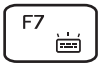







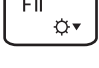


## 3.2.1 For keyboard users

To activate these functions, press the hot key associated with the desired function as below :

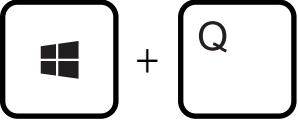
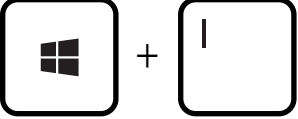
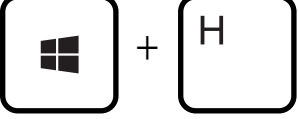

### Function Keys

Keypad	Function Description
 +  Suspend:	Press this key combination (Fn+F1) to enter sleep mode.
 +  Windows Lock/On:	Press this key combination (Fn+F2) to turn Windows Lock/On .
 +  Display mode:	Press this key combination (Fn+F3) to enable Display Mode.
 +  RADIO On/Off:	Press this key combination (Fn+F4) to turn all radios on or off.
 +  Touch pad On/Off:	Press this key combination (Fn+F5) to On/Off Touch pad mode.

## Function Keys

Keypad	Function Description
 + 	<p>Keyboard Brightness down: Press this key combination (Fn+F6) to decrease brightness of Keyboard.</p>
 + 	<p>Keyboard Brightness up: Press this key combination (Fn+F7) to increase brightness of Keyboard.</p>
 + 	<p>MUTE: Press this key combination (Fn+F8) to enter MUTE mode.</p>
 + 	<p>Volume down: Press this key combination (Fn+F9) to enter Volume down mode.</p>
 + 	<p>Volume up: Press this key combination (Fn+F10) to enter Volume up mode.</p>
 + 	<p>Brightness down: Press this key combination (Fn+F11) to decrease brightness of LCD display.</p>
 + 	<p>Brightness up: Press this key combination (Fn+F12) to increase brightness of LCD display.</p>



## Function Keys

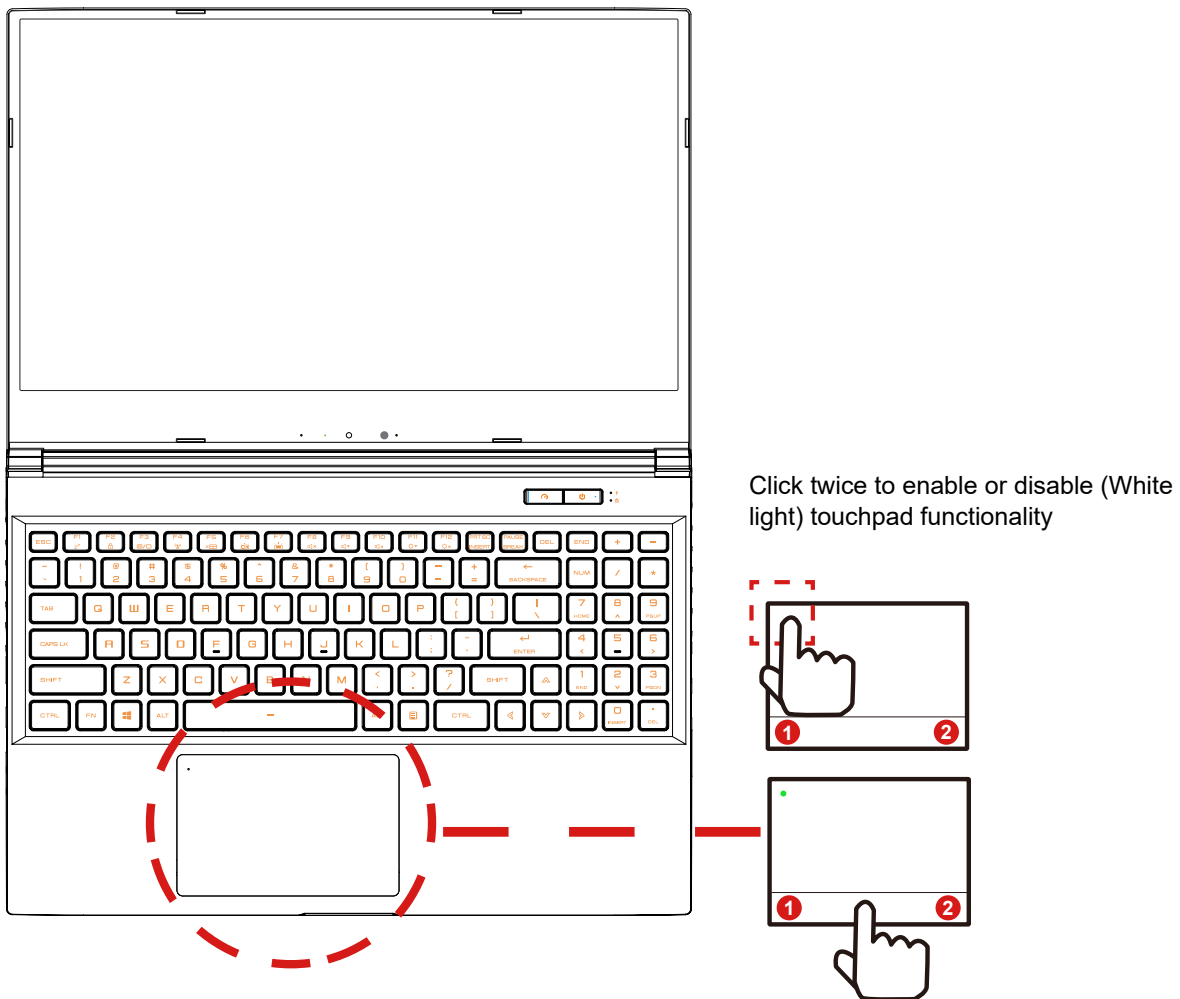
Keypad	Function Description
 Search Charm : (Optional)	Press this key combination (Windows logo key+Q) to open the search charm and search apps.
 Settings Charm : (Optional)	Press this key combination (Windows logo key+I) to open the settings charm.
 Share Charm : (Optional)	Press this key combination (Windows logo key+H) to open the share charm.
 Devices Charm : (Optional)	Press this key combination (Windows logo key+K) to open the devices charm.



### 3.3 Using the touchpad / clickpad

The touchpad / clickpad is a rectangular electronic panel located just below your keyboard. Tap the left corner twice to enable or disable (White light) touchpad functionality. You can use the static-sensitive panel of the touchpad / clickpad and slide it to move the cursor. You can use the buttons below the touchpad as left and right mouse buttons.

Press the left  and right  buttons located on the edge of the touchpad / clickpad to make selections and run functions. These two buttons are similar to the left and right buttons on a mouse. Tapping on the touchpad / clickpad produces similar results.



---

## Chapter 4

# BIOS setup

---

## 4.1 About BIOS Setup

### 4.1.1 When to Use BIOS Setup ?

You may need to run the BIOS Setup when:

- An error message appears on the screen during the system booting up and is requested to run SETUP.
- You want to change the default settings for customized features.
- You want to reload the default BIOS settings.

### 4.1.2 How to Run BIOS Setup ?

To run the BIOS Setup Utility, turn on the notebook and press the [Del] key during the POST procedure.

If the message disappears before you respond and you still wish to enter Setup, either restart the system by turning it OFF and ON, or simultaneously pressing [Ctrl]+[Alt]+[Del] keys to restart.

Be noted that the screen snaps and setting options in this chapter are for your references only. The actual setting screens and options on your Notebook may be different because of BIOS update.

The setup function only can be invoked by pressing [Del] or [F2] key during POST that provide a approach to change some setting and configuration the user prefer, and the changed values will save in the NVRAM and will take effect after the system rebooted. The setup uses a menu interface to allow the user to configure their system and the features are briefly listed as follow.

Press [F7] key for Boot Menu.

---

## 4.2 BIOS Setup Menu

Once you enter the BIOS Setup Utility, the Main Menu will appear on the screen. Select the tags to enter the other menus.

### Main Menu

Show system overview about memory size and setting of system time and date.

### Advanced Menu

To select the XD feature enable or disable XD feature only work with Intel platform + Windows.

### Security Menu

Install or clear the password settings for supervisor and user.

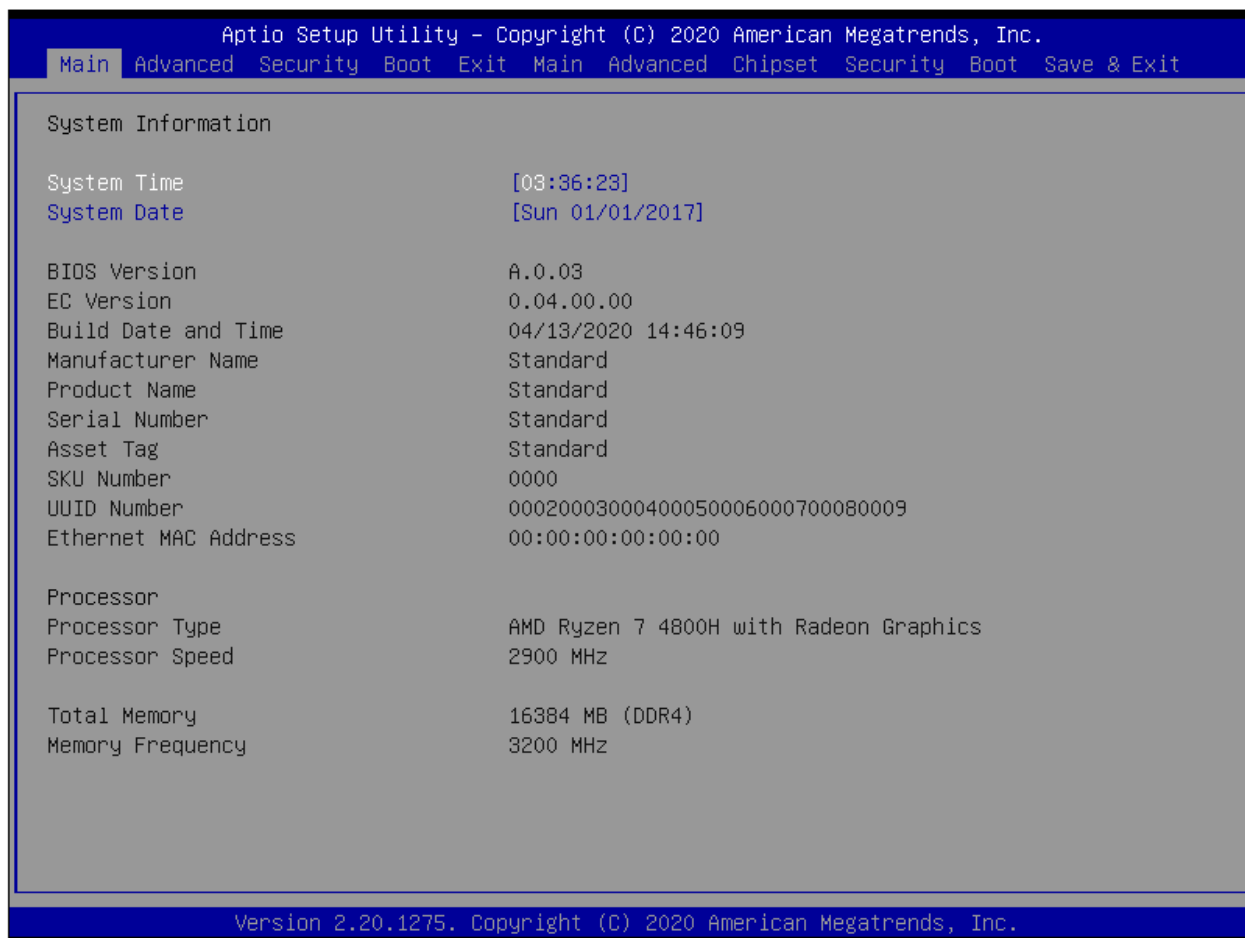
### Boot Menu

Configure Settings during System Boot.

### EXIT Menu

Save or discard the changes before leaving the BIOS Setup Menu.

## 4.2.1 Main Menu



- System Time

This item allows you to set the system time. There is a small internal (CMOS) battery which is designed to maintain your system clock. It is designed to maintain time even when the PC is powered down or in sleep mode. The time format is [hour:minute:second].

Use [+] or [-] to configure system Time.

- System Date

This item allows you to set the system date. The date format is [day:month:date:year].

Use [ENTER], [TAB] or [SHIFT-TAB] to select a field.

---

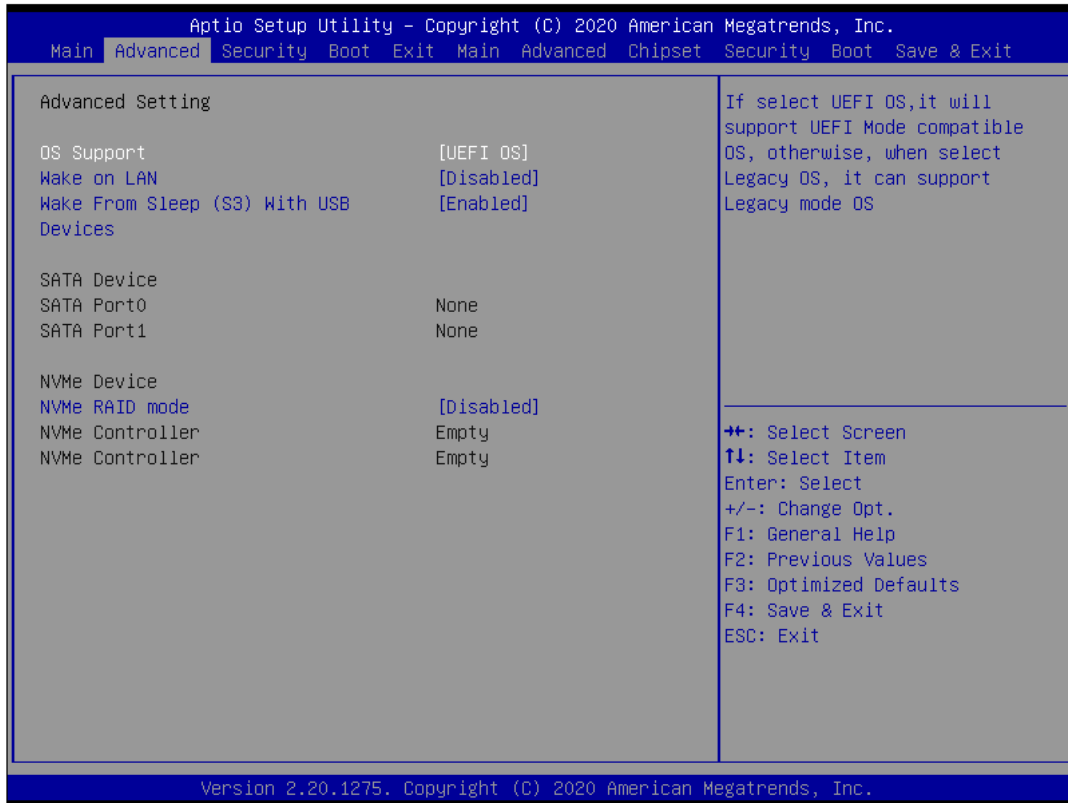
Day	Day of the week, from Sun to Sat, which is determined by BIOS (read-only).
Month (Month)	The month from 01 (January) to 12 (December).
Date (Date)	The date from 01 to 31.
Year (Year)	The year can be adjusted by users.

---

- Total Memory

This allows you to see the total amount of memory.

## 4.2.2 Advanced Menu



- Wake From Sleep(S3) With USB Devices:  
Enable/Disable wake from sleep(S3) with USB devices
- Serial ATA HDD  
It will show AHCI SATA HDD info.

---

- RAID mode reminder

Please update strip size in BIOS to 128K in order for RAID to optimize performance.

- NVMe Device

It will show NVMe Device info.

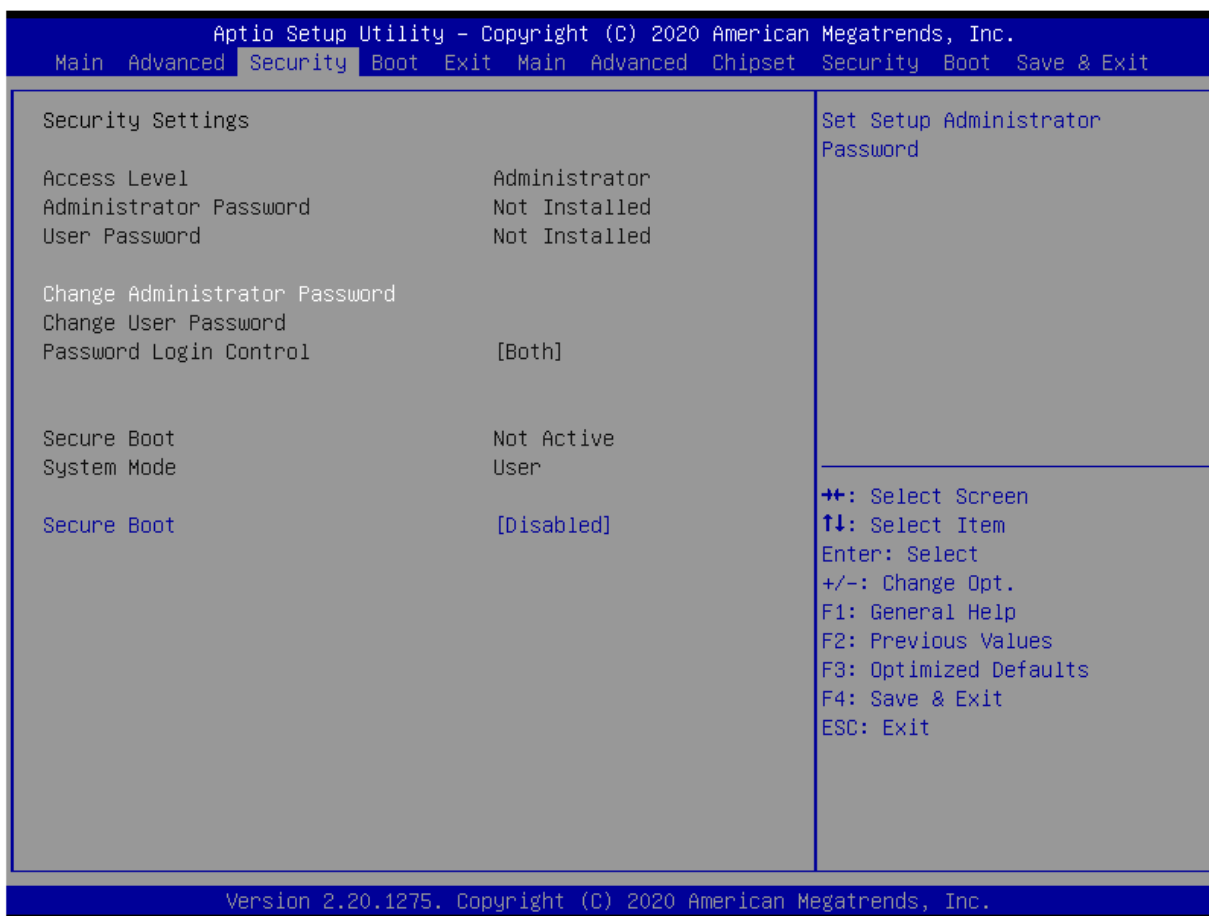
- Wake on LAN

Enable/Disable

integrated LAN to wake the system.



## 4.2.3 Security Menu



- Thunderbolt Security Level [User Authorization / Secure Connect/ Display Port only / USB Docking Only / Unknow Status]
- Change Administrator Password

When this item is selected, a message box shall appear on the screen as below:

Enter New Password

Type a maximum of 20-digit password and press [Enter].

The password typed now will replace any previously set password from CMOS memory. You may also press [ESC] to abandon new password setting. It is extremely important to keep record for any BIOS password which is set as it can not be reset even with the removal of a CMOS battery for the security of your PC.

---

Select Change User Password to give or to abandon password setting same as Change Administrator Password item above.

Note that Administrator Password field allows users to enter and change the settings of the BIOS SETUP UTILITY, while User Password field only allows users to enter the BIOS SETUP UTILITY without having the authorization to make any change.

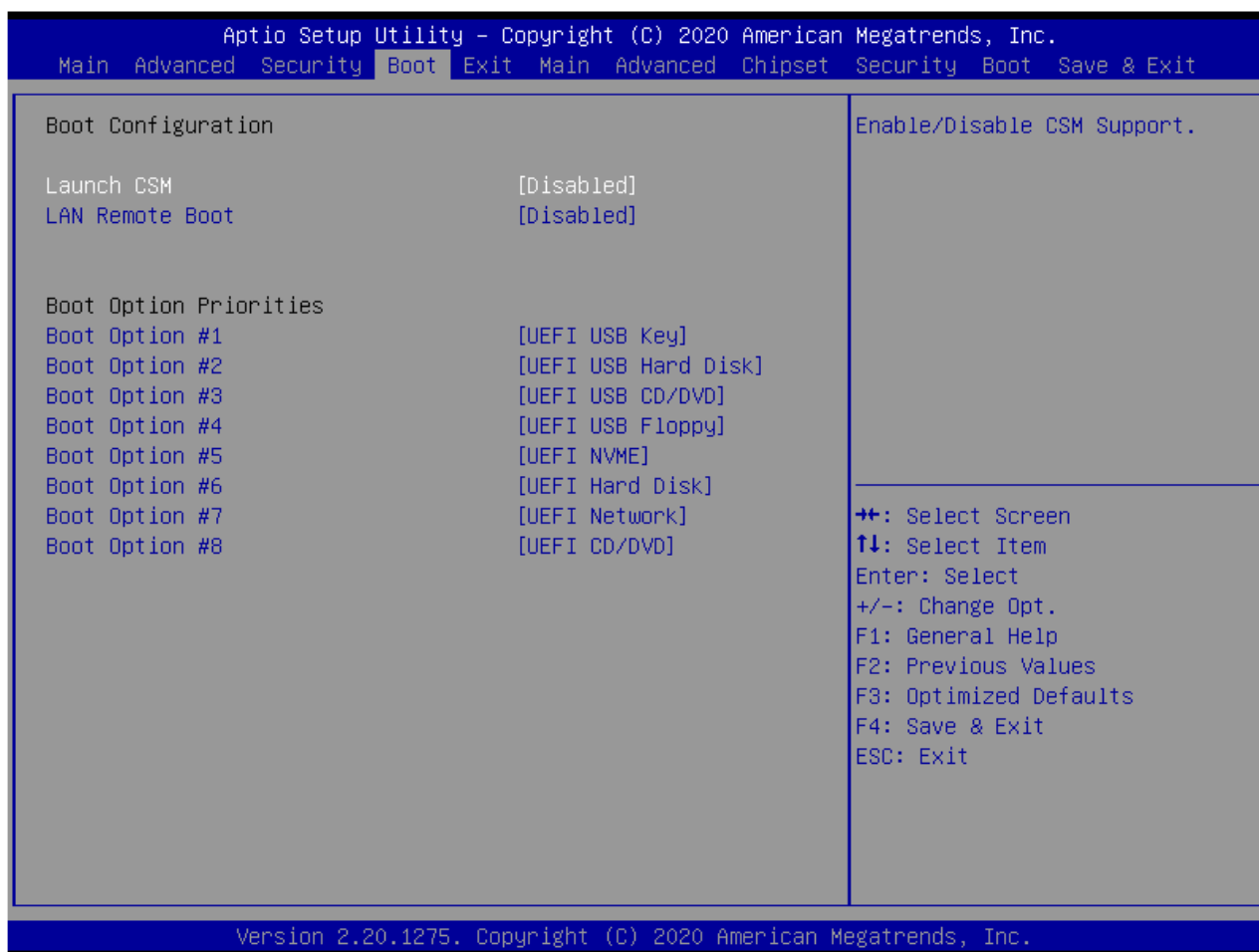
The Password Check item is used to specify the type of BIOS password protection that is implemented.

To clear a set Administrator Password/ User Password, just press [Enter] under Change Administrator Password/ Change User Password field when you are prompted to enter the password. A message box will pop up confirming password will be disabled. Once the password is disabled, the system will boot and user can enter setup without entering password.

#### Key Management:

Enables expert user to modify Secure Boot Policy variables without full authentication.

## 4.2.4 Boot Menu



- **Boot Configuration**  
Configure Settings during System Boot.
- **LAN Remote Boot [Disable]:** Boot from LAN or not.
- **Set Boot Priority (1st/2nd/3rd/..... Boot)**  
Specifies the boot sequence from the available devices.  
A device enclosed in parenthesis has been disabled in the corresponding type menu.
- **Hard Disk Drive / USB HardDisk Drive**  
Specifies the Boot Device Priority sequence.

## 4.2.5 Exit Menu



- Save Changes and Reset  
Exit system setup after saving the changes. F4 key can be used for this operation.
- Discard Changes and Exit  
Exit system setup without saving any changes. ESC key can be used for this operation.
- Restore Defaults  
Restore/Load Defaults values for all the setup options. F3 key can be used for this operation.